

LN Series Rental LED Display

Excellence · Create Infinite Possibilities



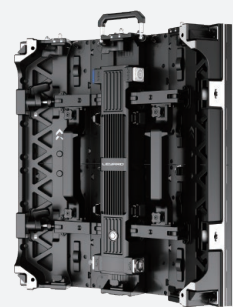
LN



LN-R



LN-C



Leyard LN Series · Product Features



Light Weight



Splicing at Your Wish
(Flat/Concave&Convex/Right angle/ S shape/Circle)



Single Person Operation
(Installation and Maintenance)



Modular Design

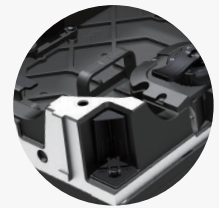
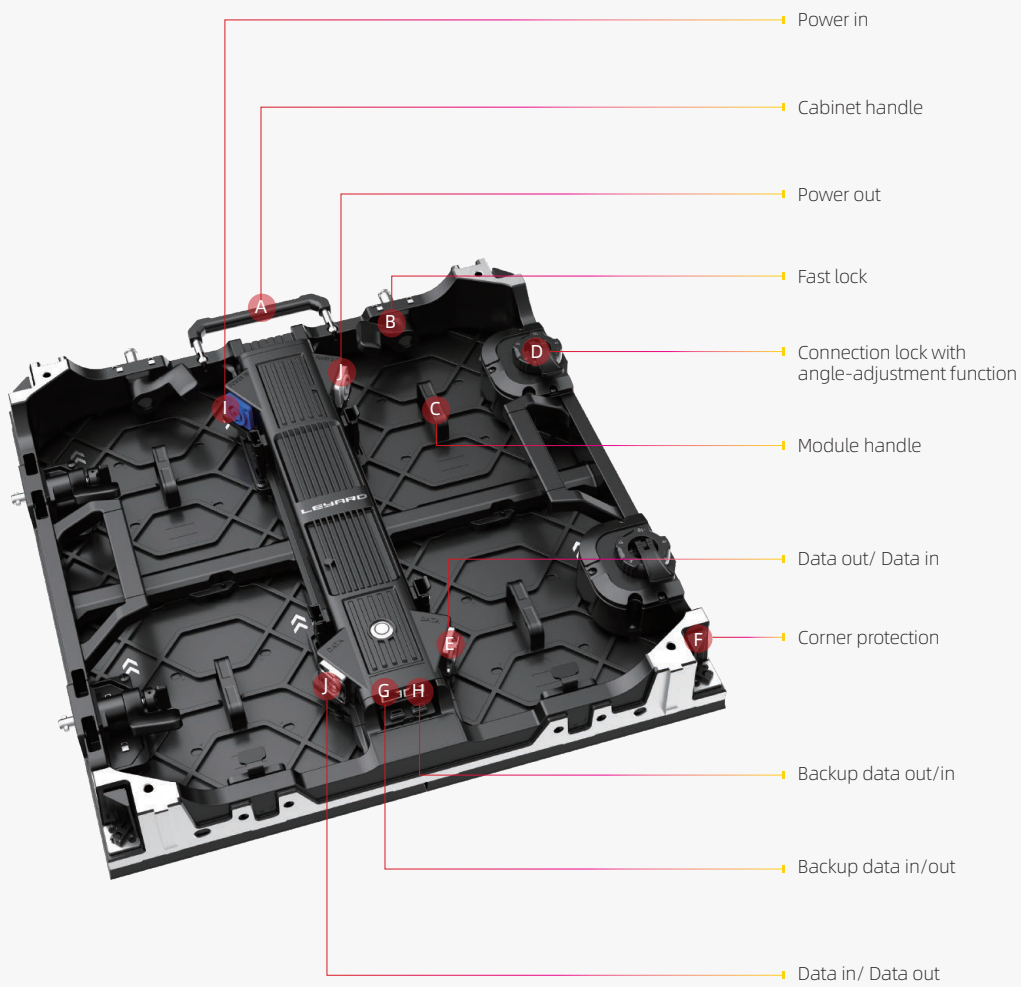


HDR Supported



Wide Viewing Angle

Cabinet Appearance Details



Corner protection



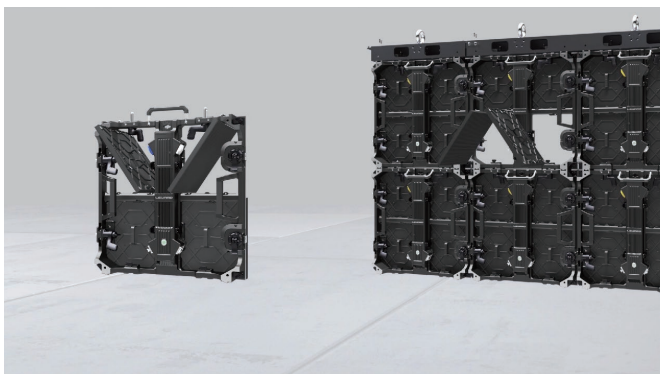
Signal redundancy



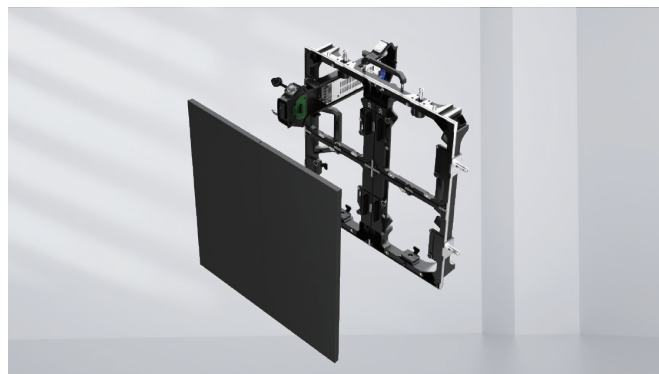
Arc lock

Multi-functional | Customizable

Cabinet 100% Rear Maintenance



Full Front Maintenance (optional)



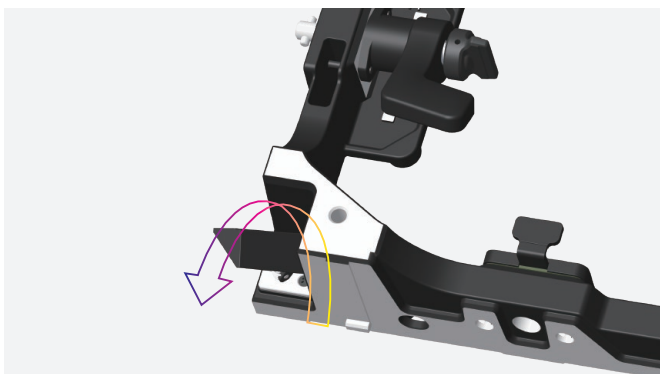
LED Module Support Front Maintenance



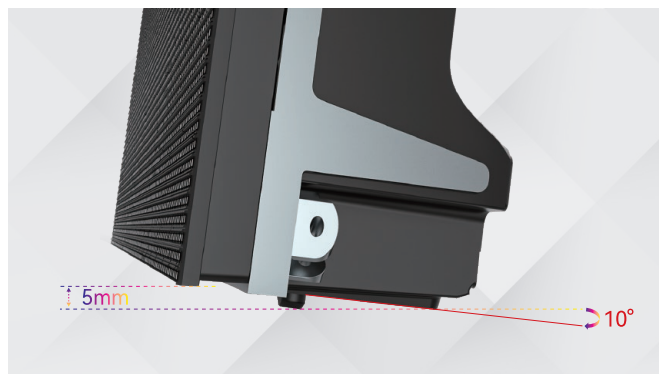
Radian Design, -10°~10° Adjustable



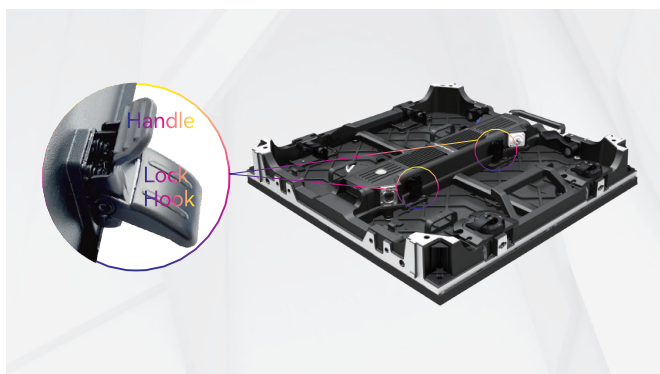
Strong and Durable Corner Protection



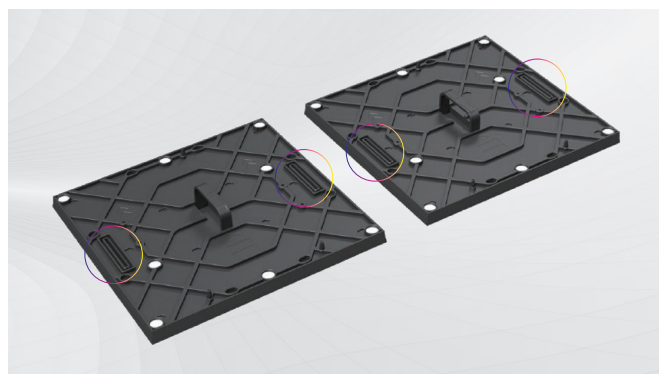
LED Protection



Reliable and Easy-to-Operate Power Box Buckle



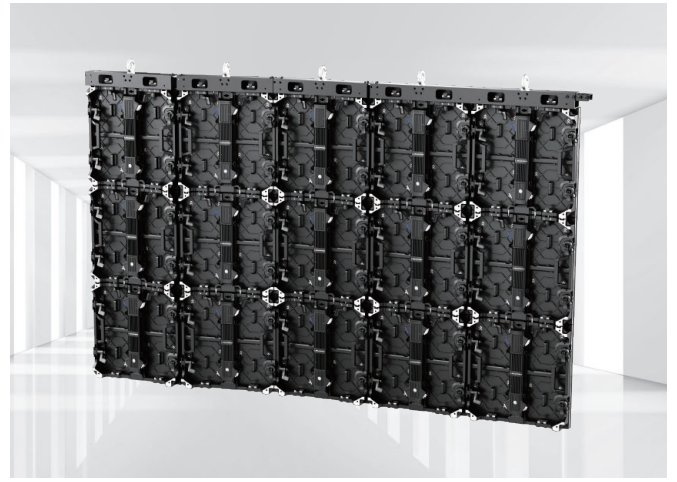
Universal LED Modules



Stacking Installation



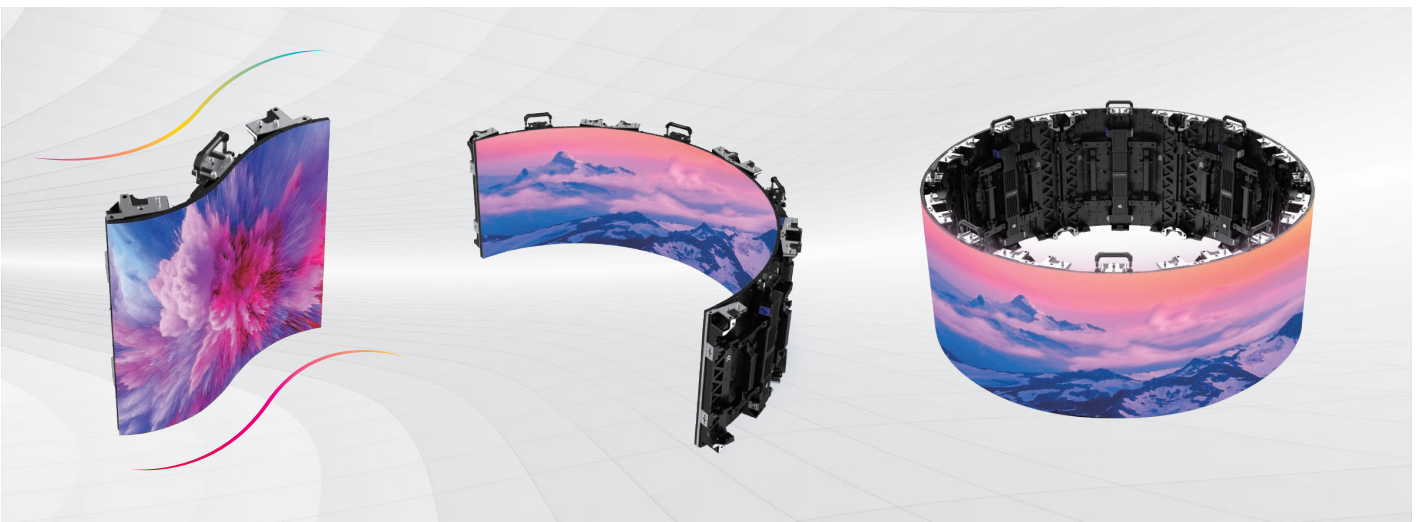
Hanging Installation



LN-R



LN-C



LN Specifications

Item	LN1.9	LN2.6	LN2.9	LN3.9	LN2.9S	LN3.9S	LN4.8S
LED Configuration	SMD	SMD	SMD	SMD	SMD	SMD	SMD
Pixel Pitch (mm)	1.95	2.60	2.97	3.90	2.97	3.90	4.80
Module Size (mm)(WxH)	250x250						
Module Composition (WxH)	2x2		2x4	2x2	2x4	2x2	2x4
Cabinet Resolution	256x256	192x192	168x168	168x336	128x128	128x256	168x168
Cabinet Dimension (WxHxD, mm)	500x500x79		500x1000x79	500x500x79	500x1000x79	500x500x79	500x1000x79
Weight (Kg/Cabinet; Kg/m²)	7.5; 30		13.5; 27	7.5; 30	13.5; 27	7.5; 30	13.5; 27
Pixel Density (Point/m²)	262,144	147,456	112,896	65,536	112,896	65,536	43,264
Brightness (nits)	1000			4000			
IP Protection	IP50			IP65			
Cabinet Material	Aluminum Alloy						
Colour Temperature, Adjustable (K)	3000 to 10000						
Viewing Angle (Horizontal)°	160						
Viewing Angle (Vertical)°	140						
Contrast Ratio	5000:1						
AC Operation Voltage	AC100~240V (50-60Hz)						
Max Power Consumption (W/m²)	600						
Ave Power Consumption (W/m²)	200						
Grayscale (bits)	14						
Refresh Rate (Hz)	≥3840 / ≥7680						
Frame Rate (Hz)	50&60						
Lifetime (hrs)	100000						
Installation Access	Front/Rear						
Module Maintenance	Front/Rear						
PSU & Others Maintenance	Front/Rear						
Operating Temperature (°C)	- 20~40						
Storage Temperature (°C)	- 30~60						
Operating Humidity (%RH)	10~90% no condensation						
Storage Humidity (%RH)	10~80% no condensation						
Certificate	International: CB, CE, CTUVUS, FCC, IC, ROHS, REACH, WEEE Domestic: CCC, energy saving, environmental protection						

Note: The parameters in this table are for reference only, and the actual situation shall prevail.

LN-R Specifications

Item	LN1.9-R	LN2.6-R	LN2.9-R	LN3.9-R	LN2.9S-R	LN3.9S-R	LN4.8S-R
LED Configuration	SMD	SMD	SMD	SMD	SMD	SMD	SMD
Pixel Pitch (mm)	1.95	2.60	2.97	3.90	2.97	3.90	4.80
Module Size (mm)(WxH)	250x250						
Module Composition (WxH)	2x2						
Cabinet Resolution	256x256	192x192	168x168	128x128	168x168	128x128	104x104
Cabinet Dimension (WxHxD, mm)	500x500x79						
Weight (Kg/Cabinet; Kg/m²)	7.5; 30						
Pixel Density (Point/m²)	262,144	147,456	112,896	65,536	112,896	65,536	43,264
Brightness (nits)	1000				4000		
IP Protection	IP50				IP65		
Cabinet Material	Aluminum Alloy						
Colour Temperature, Adjustable (K)	3000 to 10000						
Viewing Angle (Horizontal)°	160						
Viewing Angle (Vertical)°	140						
Contrast Ratio	5000:1						
AC Operation Voltage	AC100~240V (50-60Hz)						
Max Power Consumption (W/m²)	600						
Ave Power Consumption (W/m²)	200						
Grayscale (bits)	14						
Refresh Rate (Hz)	≥3840 / ≥7680						
Frame Rate (Hz)	50&60						
Lifetime (hrs)	100000						
Installation Access	Front/Rear						
Module Maintenance	Front/Rear						
PSU & Others Maintenance	Front/Rear						
Operating Temperature (°C)	- 20~40						
Storage Temperature (°C)	- 30~60						
Operating Humidity (%RH)	10~90% no condensation						
Storage Humidity (%RH)	10~80% no condensation						
Certificate	International: CB, CE, CTUVUS, FCC, IC, ROHS, REACH, WEEE Domestic: CCC, energy saving, environmental protection						

Note: The parameters in this table are for reference only, and the actual situation shall prevail.

LN-C Specifications

Item	LN1.9-C	LN2.6-C	LN2.9-C	LN3.9-C	LN2.95-C
LED Configuration	SMD	SMD	SMD	SMD	SMD
Pixel Pitch (mm)	1.95	2.60	2.97	3.90	2.97
Module Size (mm)(WxH)	500x250				250x250
Module Composition (WxH)	1x2				2x2
Cabinet Resolution	256x256	192x192	176x168	128x128	160x168
Cabinet Dimension (WxHxD, mm)	500x500x79				
Weight (Kg/Cabinet; Kg/m²)	8.2; 32.8				8.8; 35.2
Pixel Density (Point/m²)	262,144	147,456	118,272	65,536	107,520
Brightness (nits)	1000				4000
IP Protection	IP50				IP65
Cabinet Material	Aluminum Alloy				
Colour Temperature, Adjustable (K)	3000 to 10000				
Viewing Angle (Horizontal)°	160				
Viewing Angle (Vertical)°	140				
Contrast Ratio	5000:1				
AC Operation Voltage	AC100~240V (50-60Hz)				
Max Power Consumption (W/m²)	600				
Ave Power Consumption (W/m²)	200				
Grayscale (bits)	14				
Refresh Rate (Hz)	≥3840 / ≥7680				
Frame Rate (Hz)	50&60				
Lifetime (hrs)	100000				
Installation Access	Rear				
Module Maintenance	Rear				
PSU & Others Maintenance	Rear				
Operating Temperature (°C)	- 20~40				
Storage Temperature (°C)	- 30~60				
Operating Humidity (%RH)	10~90% no condensation				
Storage Humidity (%RH)	10~80% no condensation				
Certificate	International: CB, CE, CTUVUS, FCC, IC, ROHS, REACH, WEEE Domestic: CCC, energy saving, environmental protection				

Note: The parameters in this table are for reference only, and the actual situation shall prevail.



LEYARD HONG KONG INTERNATIONAL CO., LIMITED

ADD: Leyard LED South Industry Park, No.6, Guanhe Road, Guanlan, Longhua District, Shenzhen, China

Email: intlmarketing@leyard.com | Website: www.leyardhk.com